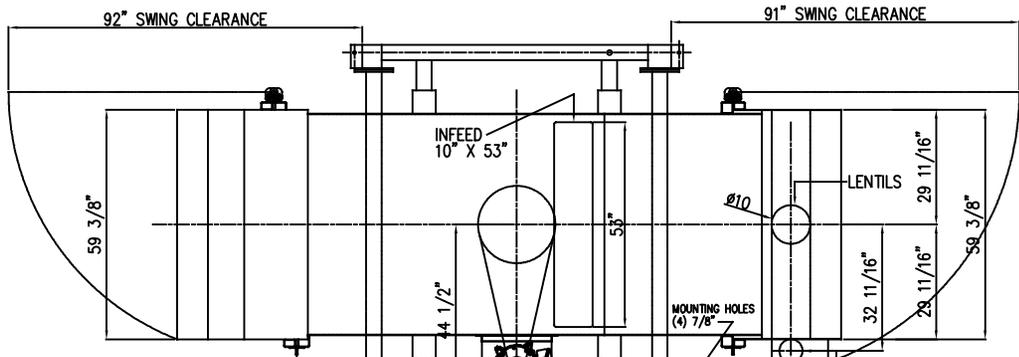


J16245

ROTOR: A9-4801 see drawing

DRIVE MOTOR:
 INCLUDED
 NOT INCLUDED
 RIGHT HAND
 LEFT HAND
 HP: 10 RPM: 1800
 VOLTAGE: 575
 FRAME: 215T
 MFR:



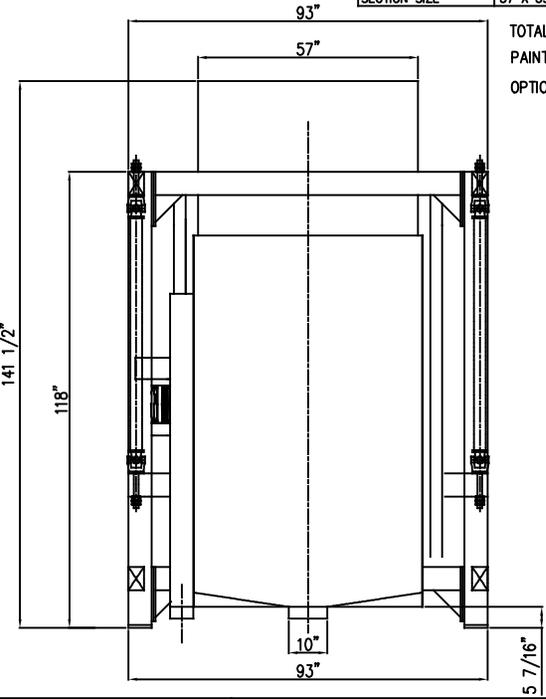
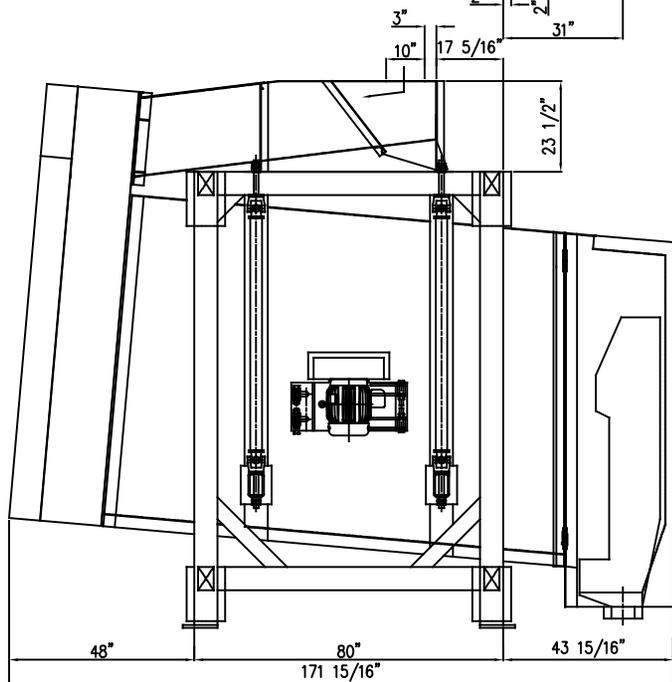
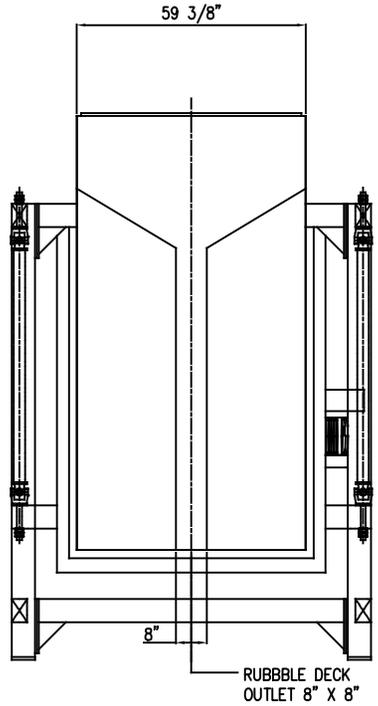
DESIGN CRITERIA OF SUPPORT STRUCTURES FOR BM&M SCREENS

- BM&M SCREENS GENERATE DYNAMIC AND STATIC LOADS IN THE HORIZONTAL AND VERTICAL PLANES. THESE LOADS MUST BE USED WHEN ENGINEERING AN INSTALLATION INTO AN EXISTING OR NEW STRUCTURE.
 - VERTICAL LOADS**
 THE VERTICAL LOAD CONSISTS OF A STATIC LOAD (MACHINE WEIGHT PLUS PRODUCT WEIGHT) AND A REVERSING DYNAMIC LOAD.
 - HORIZONTAL LOADS**
 THE HORIZONTAL LOAD IS A RADIAL DYNAMIC LOAD.
 - MAXIMUM VERTICAL LOAD PER CORNER**
 5000 LBS, STATIC
 2300 LBS, DYNAMIC, REVERSING @ 300 CYCLES/MINUTE
 - MAXIMUM HORIZONTAL LOAD PER CORNER**
 500 LBS, ROTATING @ 300 CYCLES/MINUTE
- THE RESONANT FREQUENCY OF THE LOADED STRUCTURE OR ITS PARTS SHALL BE GREATER THAN 800 CYCLES PER MINUTE OR LESS THAN 150 CYCLES PER MINUTE.
- PROVIDE 6" HORIZONTAL CLEARANCE FROM STATIONARY OBJECTS.
- PROVIDE FLEXIBLE LEAD TO MOTOR.
- DISCHARGE CHUTES MAY BE LEFT OR RIGHT HANDED OR CENTRAL FOR OVERS, FINES & ACCEPTS (SEE BROCHURE). THESE MAY NOT EXTEND MORE THAN 3 FEET FROM END OF SCREEN.

SPECIFICATIONS:

	RUBBLE DECK	DECK #1
SCREEN OPENINGS	3/4" OPEN WW	5.5/64 X 3/4 SLOT PP (SLOT // TO FLOW)
SCREEN MATERIAL	.135" HCW	20GA CRS
NO. OF SECTIONS	2	4
SECTION SIZE	57 X 39	57 X 120

TOTAL MACHINE WEIGHT: 9900 LBS.
 PAINT: BM&M BLUE, PAINT SPEC. 2
 OPTIONS:



REV	DESCRIPTION	DATE	APPD
A	FOR APPROVAL	JUNE 3/10	
B	REVISED TO ROUND OUTLETS	JUNE 7/10	
C	APPROVED FOR CONSTRUCTION	JUNE 9/10	

CUSTOMER: PRAIRIE PULSE
 PURCHASE ORDER: HOWARD WAGNER
 DRAWING STATUS: FOR CONSTRUCTION

BM&M

5022S1 SUPER DECK 5° SLOPE WITH RUBBLE DECK WITH 2" BALLS SETTING PLAN

JOB NO. J16245A	DWG NO. B4-1013	REV. C
-----------------	-----------------	--------